

# Smart Lock

## User Manual

### C1B-TB

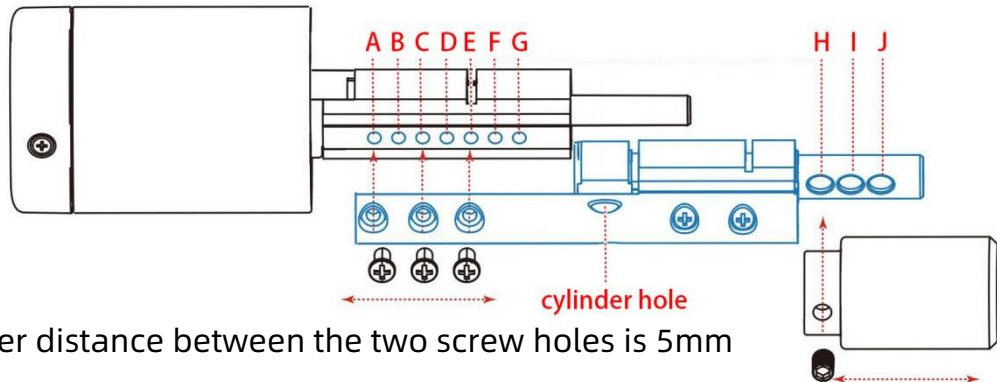


### Special Attention:

1. Mechanical keys please keep outdoor, just in case keys lock in doors.
2. Please replace for the battery when low wattage alarm.
3. Reading this manual carefully before installation, and keep it for future reference.

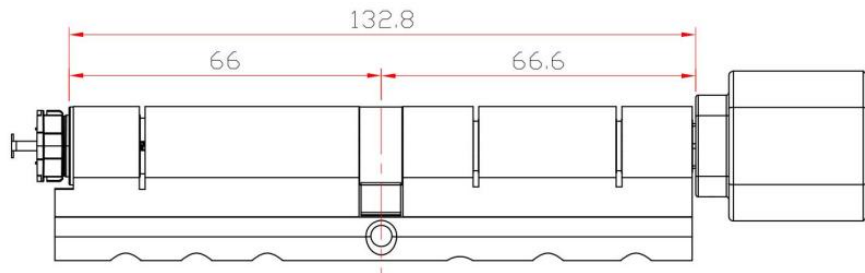
# 1.Introduction of lock cylinder

The lock cylinder is suitable for 90-130 door thickness(Include front and back cover plate), please adjust the length of the lock cylinder according to different door thickness



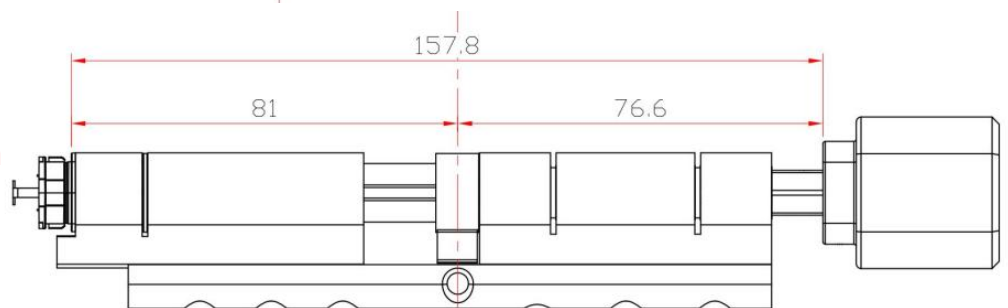
- ◆ The center distance between the two screw holes is 5mm
- ◆ Change the length of the cylinder by adjusting the position of the screw inserted into the screw hole.

Default state:



Adjusted

maximum



Front panel		Back panel		Total length of lock cylinder
The position of the screw	Length from cylinder hole center to front	The position of the screw	Length from cylinder hole center to back	
ACE	66mm	H	66.6mm	132.8mm
BDF	71mm	I	71.6mm	142.6mm
CEG	76mm	J	76.6mm	152.6mm
EG	81mm	J	76.8mm	157.8mm

The Length from cylinder hole center to front panel and back panel in this table may not necessarily correspond. Please determine the length of the lock core for the front and back panels based on the actual door thickness.

## 1.2.Packing List



Check the following drawing to check whether the package contains all the parts

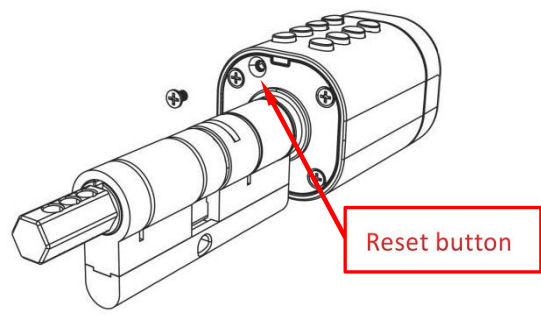
NO	Name	Qty	NO.	Name	Qty
1	Front Panel	1	5	M5*50mm Screw	1
2	Back Panel	1	6	M5*70mm Screw	1
3	Card	3	7	2.0mm Screw Driver	1
4	Mechanical Key	2	8	2.5mm Screw Driver	1

## 1.3.Specifications

Suitable for Models	C1-TB	Doors Applicable	Aluminum door Wooden door
Materials	Zinc alloy	Working Voltage	6V/2*CR123A
Lock Weight	1KG	Door Thickness to Fit	90-120mm
Unlocking Way	Bluetooth Fingerprint(option) Password Card Mechanical key Gateway(option)	Data Capacity	Fingerprint: 200 Password: 150 Card: 200
Color	Silver Black	Working Temperature	-10°C-55°C
Low Wattage Alarm	Less than 4.8V	Working Humidity	0-95%

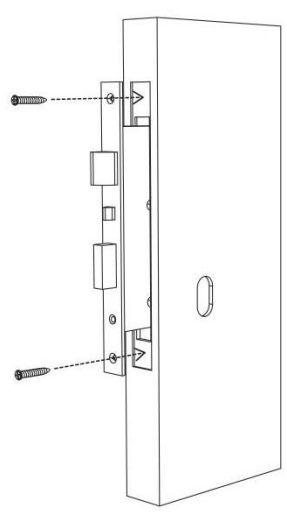
### 1.4.System Initialization

Open the cover plate of the front panel ,long press the "Reset" button on the back panel for 5s,and the initialization is complete.



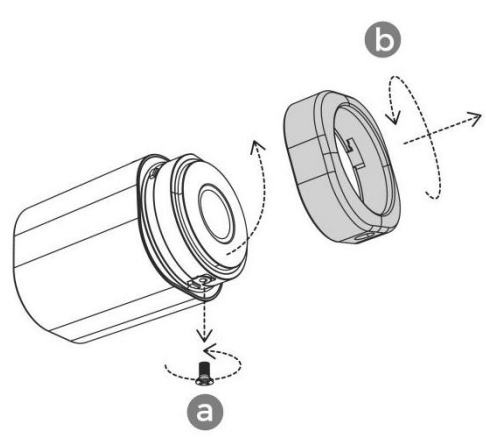
### 2.Installation

#### Step 1 Install Mortise



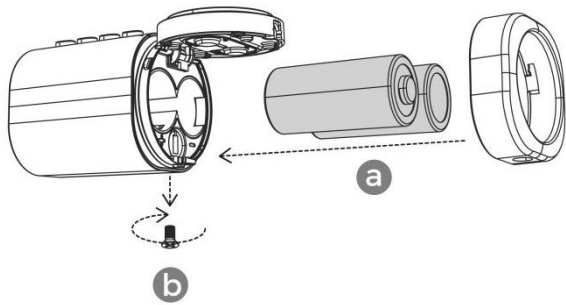
Insert the screw into the hole and fix it.

#### Step 2 Open Battery Cover



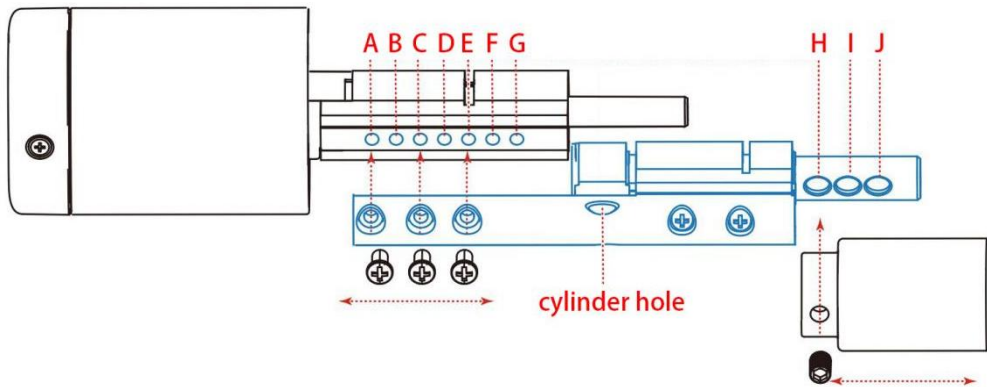
- 1.loosen the screw on the counterclockwise
- 2.Rotate battery cover counterclockwise

#### Step 3 Install Battery



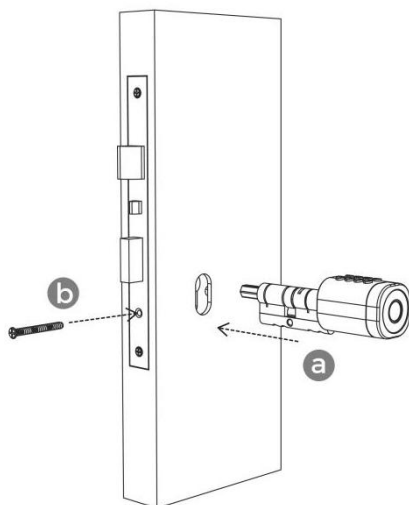
1. Install 2\*CR123A
2. Install the battery cover

### Step 4 Adjust The Length Of The Cylinder



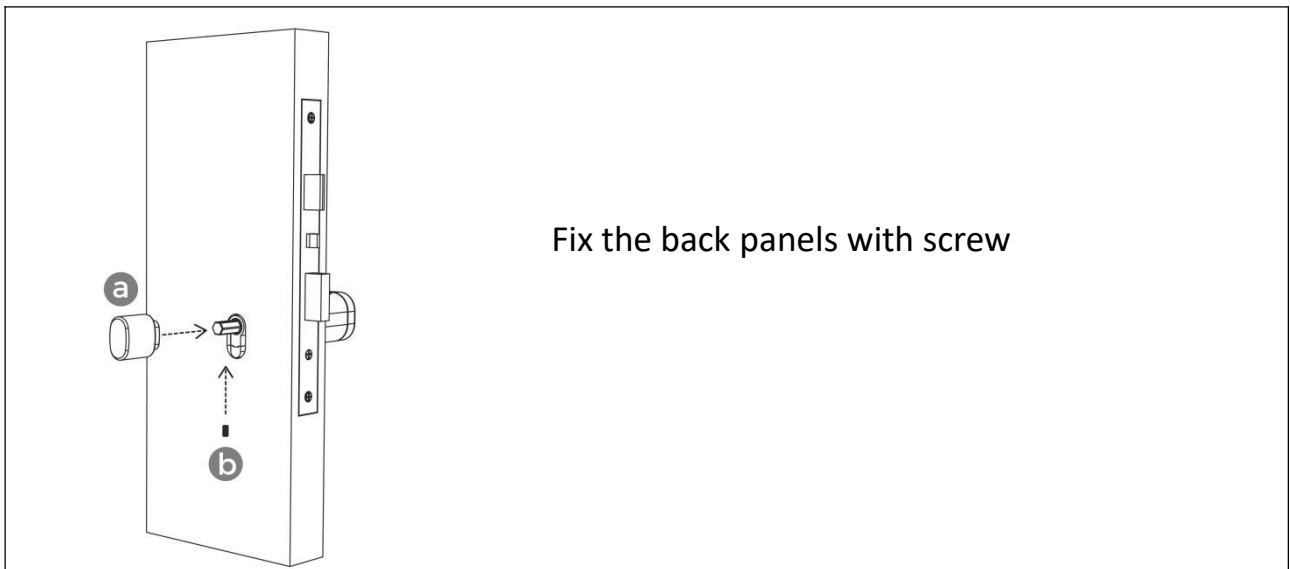
Adjust the length of the cylinder according to the door thickness

### Step 5 Install Front Panels



Fix the front panels with screw

### Step 6 Install Back Panel



### 3.Operation

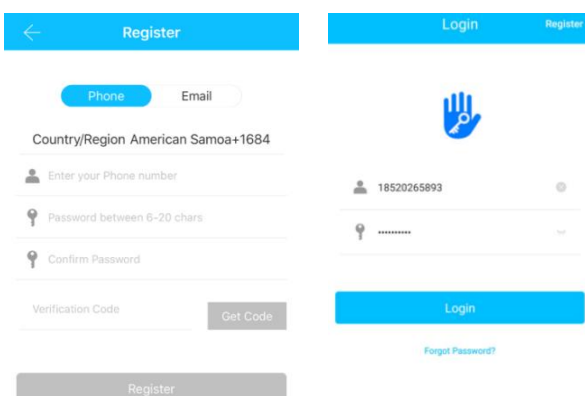
#### 3.1.Registration

The software (iOS version) can be downloaded from the app store, and the Android version can be downloaded from the application store of Google play, Yingyongbao, Baidu, Ali, 360, Huawei, and Xiaomi.



#### 3.2. Connect lock to the phone

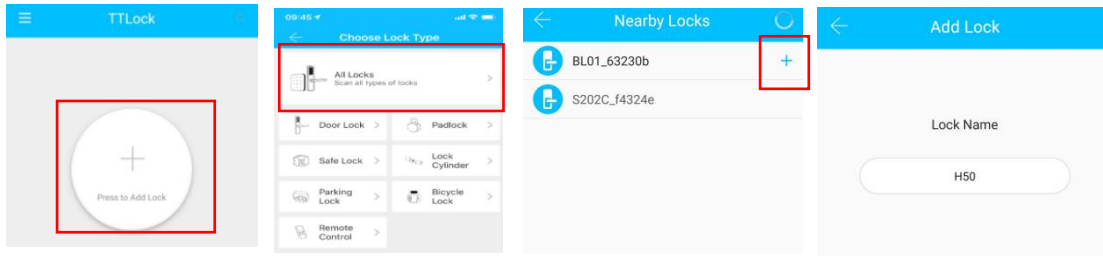
- 1) please scan the QR code to download the app
- 2) You can also search for TTlock in the APP store(Google Play)to download
- 4) Register a new account (phone number or email) or login with an existing account.
- 5) Touch the lock screen to light, click "+ Add Lock"
- 6) The lock nearby will appear on the phone screen, Click "+"
- 7) Re-name the lock
- 8) The lock added successfully



TTlock users can register the account by mobile phone and Email which currently support 200 countries and regions on the world. The verification code will be sent to user's mobile phone or email, and the registration will be successful after the verification.


### 3.3.Add locks

TTLock supports multiple types of lock devices. The lock needs to be added by the app after entering the add mode. Generally, a lock that has not been added, as long as the lock keyboard is touched, it will enter the add mode. The default password is 123456 if not added by the phone.



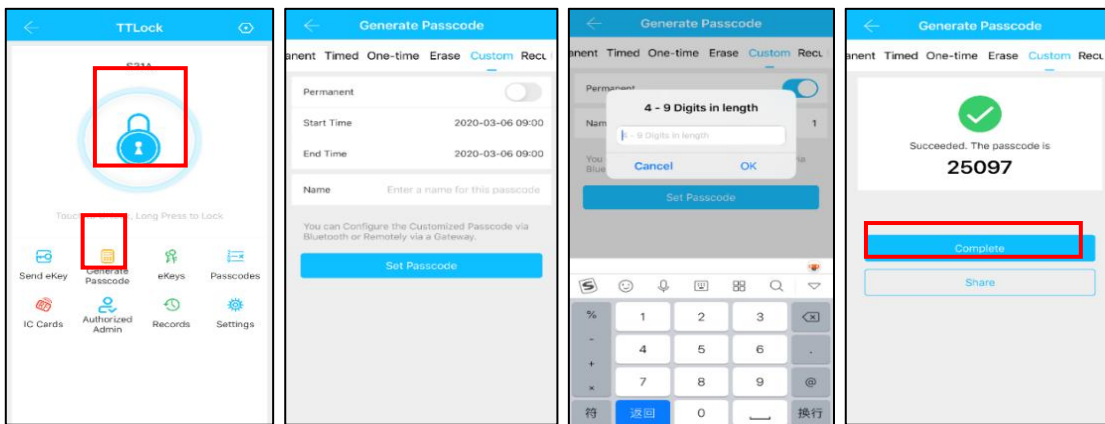
## 3.4. User Management

### 3.4.1. Bluetooth management


Make sure there is no problem with Bluetooth communication. After connecting the phone to the door lock as above, Click "  "to unlock.(the phone is within 5meters from the door lock)

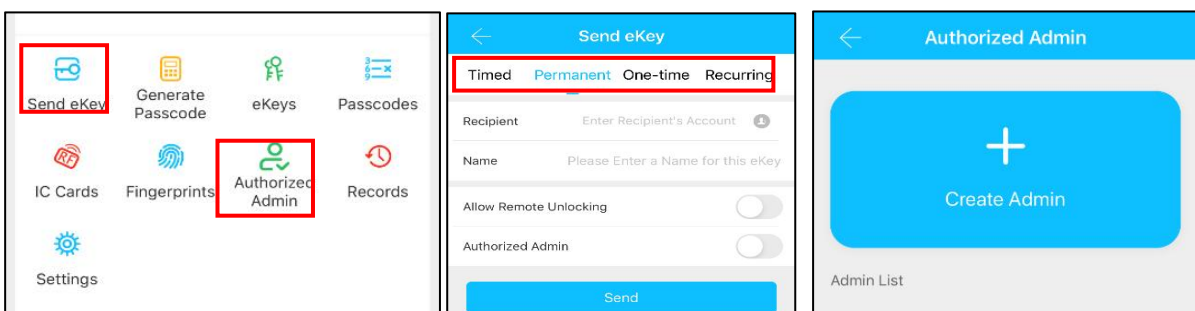
### 3.4.2. Setting Passcode

Passcodes are also a way to unlock. After entering the passcode on the locked keyboard, press the unlock button in the lower right corner to unlock. Passcodes are divided into permanent, time-limited, single, clear, cycle, and custom.(You can share the Passcode to other user via WeChat, SMS, Email, Messenger, WhatsApp)



### 3.4.3. Send e-Key

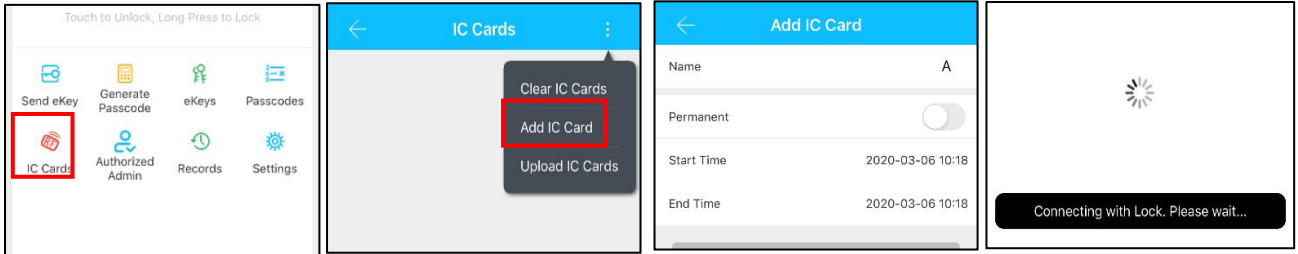
Click on the "  " as shown in figure, you can send the eKey to other users of TTlock to authorize the unlock(the receiver must be download the APP and set up an account)→ Select e-key format (Timed, permanent, One-time, Recurring) → Enter recipient's account of TTlock,set the name and effective time of the eKey, Can choose to allow remote unlocking or disallowing, authorized administrator or not authorized, as shown in figure →Send→The recipient's account has Bluetooth unlock permission.





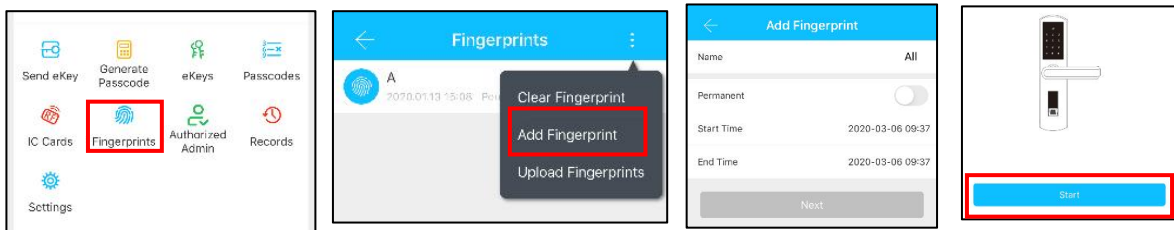
### 3.4.4. Add card

Supports opening doors through various IC cards. Before an IC card is used to open the door, it needs to be added first. The adding process needs to be performed by the app beside the lock. The validity period of the IC can be set, it can be permanent, or it can be limited in time.




### 3.4.5. Add fingerprint


The premise that a fingerprint can be used to open a door is that it needs to be added first. The adding process needs to be performed by the APP beside the lock. The fingerprint expiration data can be set, it can be permanent, or it can be limited. After setting, you can modify its validity period.




### 3.4.6. e-Key management

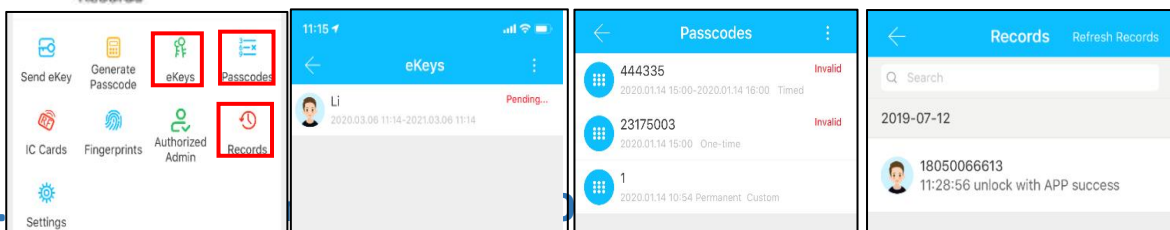
Click "  " The manager can delete ekey, reset ekey, send and adjust the ekey, meanwhile he can search the lock record.

### 3.4.7. Passcode management

Click "  ". All generated passwords can be viewed and managed in the password management module. This includes a password change, password deletion, password reset, and password unlock record.

### 3.4.8. Unlock records

Click "  " you can query your unlock record as shown in figure






The TT lock is directly connected via Bluetooth, that is why it is not attacked by the network. The gateway is a bridge between smart locks and home WIFI networks. Through the gateway, the user can remotely view and calibrate the lock clock, read the unlock record. Meanwhile, it can remotely delete and modify the password.

### 3.5.1. Add Gateway

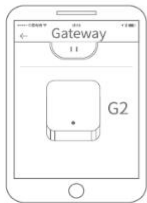
#### Light Status



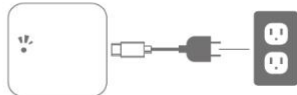
When the gateway is powered on:

-  Light flashes alternately in red and blue: Stand-by mode, ready for pairing
-  Blue light: Working mode
-  Red light: Network failure

4. Select [G2]



5. Plug in the gateway and power it on, while the light flashes alternately in red and blue

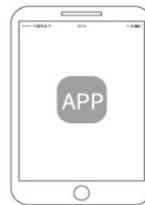


6. Press “+” sign

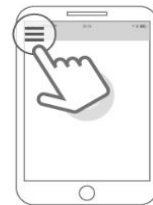


#### Pair the Gateway with APP

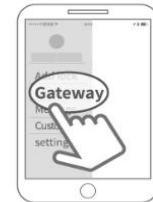
1. Activate the APP



2. Press “☰”



3. Select [Gateway]



7. Add Gateway



8. Select the network and fill in the password



9. Add complete

⚠ Notice: If times out, please power off and try it again.

### 3.5.2. Manual

After a short period of time, you can see which locks are in their coverage in the app. Once the lock is bound to the gateway, the lock can be managed through the gateway

## 4.FAQ

1) How to read operation records?	In the Records of the main interface. .
2) Why can't I unlock it after open the passage mode	You need to perform an unlock verification in any method, then the passage mode will take effect.
3) What is the purpose of Auto Lock	You can set how long to lock after unlocking
4) After installation, touch sensing keyboard, screen no respond	<p>a) In this case, first check that the positive and negative electrodes of the battery have been installed upside down, whether the battery has enough power</p> <p>b) Remove the back panel and see if it's connected</p> <p>c) To eliminate the above situation, you need to remove the lock ,check whether the wires of the lock body are squeezed, and the re-wire</p>
5) Unable to register fingerprint	<p>Check the fingers for dirt or wear, check the fingerprint head on the lock for dirt and oil stains, etc.</p> <p>Check to see if the fingerprint is working properly(Press to see if there is any responds.</p>
6) What is the reason why the smart lock consumes fast power?	<p>a) Large standby power consumption</p> <p>b) Short circuit</p>
7) How many times will the password be locked? How long is it locked?	Enter the wrong password more than 5 times in a row, the keyboard is locked for 5 minus, Other ways to can open the door

# Guarantee

Customer Name: \_\_\_\_\_

Customer Calls : \_\_\_\_\_

Purchase Date : \_\_\_\_\_

Product Name : \_\_\_\_\_

Product Model : \_\_\_\_\_

## Note:

- ① Please keep this card so that you can use it when you need warranty service.
- ② We provide you with a one-year warranty from the date of purchase.
- ③ This warranty service is valid for customers in any country in the world.

